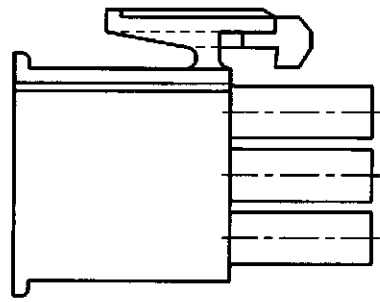
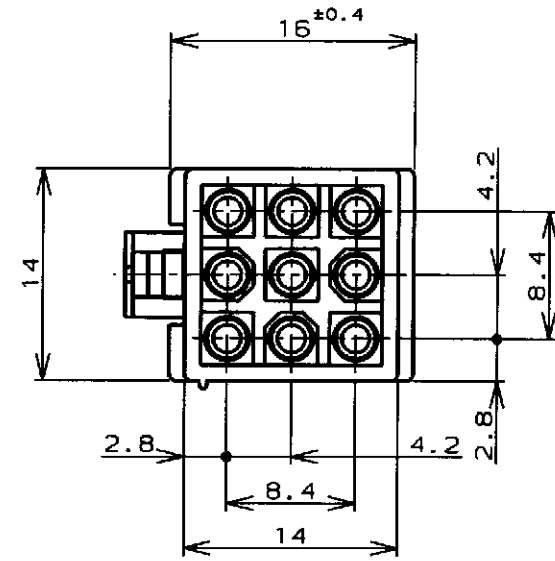
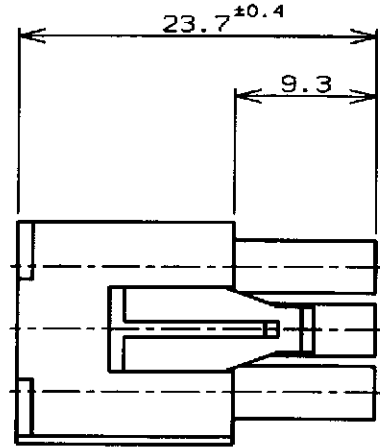
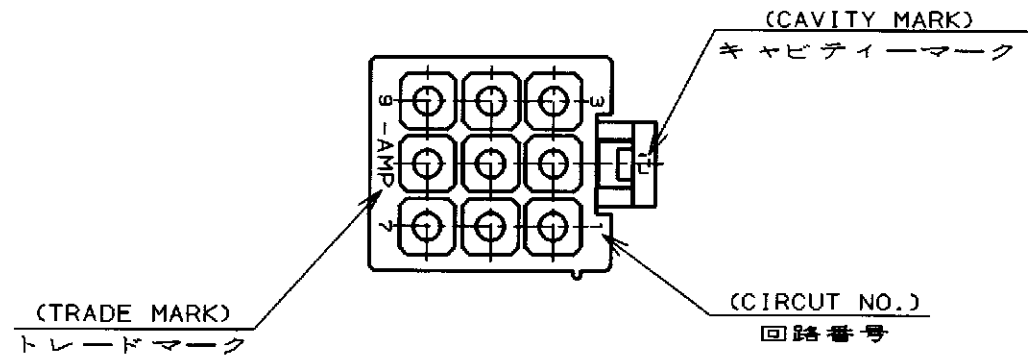


| P | LTR | DESCRIPTION | ECN | DATE | DWN | APVD |
|---|-----|---------------|--------------|----------|-------|------|
| D | | 再作成 (REDRAWN) | FJ00-0871-98 | 8 Jun 98 | NY MS | |



注記;

- 1. 使用端子型番は170359, 170360, 170361, 170362
- 2. 嵌合相手ハウジング型番は172161

NOTE;

- 1. APPLICABLE CONT P/N: 170359, 170360, 170361, 170362
- 2. MATING HSG P/N: 172161

| | | |
|---|--|---|
| THIS DRAWING IS A CONTROLLED DOCUMENT FOR AMP INCORPORATED. IT IS SUBJECT TO CHANGE AND THE CONTROLLING ENGINEERING ORGANIZATION SHOULD BE CONTACTED FOR THE LATEST REVISION. | | DWN <i>M. Yamasaki</i> 8 Jun '98 |
| DIMENSIONS: 単位: 純 mm | | CHK <i>M. Saito</i> 15 Jun 98 |
| TOLERANCES UNLESS OTHERWISE SPECIFIED 一般公差 (GENERAL TOLERANCE) | | APVD <i>M. Saito</i> 15 Jun 98 |
| ±0.3 | | PRODUCT SPEC 製品規格 108-5138 |
| MATERIAL 材料 66ナイロン UL94V-0 (66NYLON UL94V-0) | | INSTRUCTION SHEET 取り扱い説明書 IS-105J |
| FINISH 仕上 | | WEIGHT — |

| | |
|-----------------------|------------------------|
| 黒 (BLACK) | 1-172169-9 |
| 青 (BLUE) | 1- -6 |
| 緑 (GREEN) | 1- -5 |
| 赤 (RED) | 1- -2 |
| 自然色 (NATURAL) | 172169-1 |
| 色 (COLOR) | 型番 (P/N) |
| WIRE RANGE 包含電線断面積 | INSULATION DIA 被覆外径 |

| | | | |
|------------------|-----------|---|-----------------|
| AMP | | 日本エー・エム・シー株式会社 Kawasaki, Japan | |
| NAME 名称 | | 9極ミニユニバーサルメイトンロックプラグハウジング (UL94V-0) 9Pos MINI UNIVERSAL MATE-N-LOCK CONN. PLUG HOUSING (UL94V-0) | |
| SIZE | CAGE CODE | DRAWING NO 番号 | RESTRICTED TO |
| A3 | 00779 | 172169 | |
| CUSTOMER DRAWING | | SCALE 尺度 | SHEET 1 OF 1 |
| | | 2-1 | REV D |